




Model: I-9620
 2,000 lb. Electric Utility Winch
 12 Volt DC powered

Owner's Manual


 This is the safety alert symbol. It is used to alert you to potential personal injury hazards. Obey all safety messages that follow this symbol to avoid possible injury or death.


Save these instructions. For your safety, read, understand, and follow the information provided with and on this winch. The owner and operator of this equipment shall have an understanding of this winch and safe operating procedures before attempting to use. The owner and operator shall be aware that use and repair of this product may require special skills and knowledge. Instructions and safety information shall be conveyed in the operator's native language before use of this product is authorized. If any doubt exists as to the safe and proper use of this winch, remove from service immediately.

Inspect before each use. Do not use if broken, bent, cracked or damaged parts are noted. Any winch that appears damaged in any way, or operates abnormally shall be removed from service immediately. If the winch has been or suspected to have been subjected to a shock load (a dynamic load that increases the cable tension suddenly, unexpectedly), immediately discontinue use until the winch has been checked by qualified personnel. Labels and Owner's Manuals are available from manufacturer.

PRODUCT DESCRIPTION

This Pro-Lift Winch is designed and engineered for intermittent use in moving and positioning loads along a horizontal plane. It can be used as an aid in positioning rolling loads around the farm or home which are too great to position by hand. It can be used in situations where the undamaged vehicle has simply lost traction in snow or wet landscape conditions. This winch is not designed to move or position vehicles which are damaged or that can not be rolled easily. For instance, a vehicle with a broken tie rod, locked axle or brake, etc. would quickly overpower the winch and such use should not be attempted. As well a 17' aluminum bass boat can easily be winched onto a completely submerged trailer, but should never be attempted if any portion of the loading platform is out of the water. This versatile tool should never be used to secure or hold a load.

 **NEVER** use this winch as a vehicle recovery winch!


 **NEVER** use to trailer vehicles, boats, or loads weighing more than the rated line pull of your winch.

 **WARNING**




To avoid crushing and related injuries:

NEVER use this winch as a hoist!

 **WARNING**

- **Study, understand, and follow** all printed materials provided with and on this device before use.
- **Rated Line Pull** is based upon a fully extended cable condition. Line pull capacity decreases with each layer of cable spooled. Do not exceed the rated line pull for any given layer.
- This is a **pulling** device only, never use as a lifting device.
- **Never** use this device to lift, lower, move or position persons, animals, hazardous or fragile materials.
- Wear protective gloves when handling cable.
- Always keep hands and fingers away from the gears of winch while operating.
- **Disconnect** from battery when not in use.
- Use only parts, accessories and adapters provided by manufacturer.
- Be alert and sober when using this product. Do not operate under the influence of drugs or alcohol.
- **Do not** alter this device in any way.
- **Failure to heed** these markings may result in **personal injury and/or property damage.**

 **Always** place a heavy blanket on extended cable to reduce the risk caused by a snapped cable!

SPECIFICATIONS

Rated Line pull: 2,000 lb. Single line pull*
 6,000 lb. Rolling **
 Voltage Req.: 12V DC
 Amps @ rated capacity: 24A
 Amps @ no load: 4A

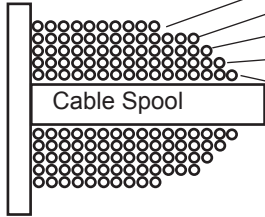
Dimensions: 9-1/2" x 7-1/2" x 10"
 Net Weight: 19 lb.
 Cable Spool Capacity: 3/16" Dia. x 30 ft.***
 Input Speed @ rated line pull: 6 FPM
 Duty Cycle: 30 ft/ 6 min.

(*) Rated Capacity is not possible when cable spool has more than 1 layer of cable on it. Rated capacity is based on fully extended cable with at least 4 turns or cable on spool. Actual Pulling Capacity is **decreased** with each layer spooled onto the cable spool. Refer to Table below.

(**) Based on a smooth, level, relatively frictionless rolling surface.

(***) Subtract 12" to determine usable cable length.

Layer	Rated Line Pull	Cable turns per layer	Ft. cable per layer.
5th layer	1,000 lb.	15	2 ft 11"
4th layer	1,100 lb.	15	9 ft 1"
3rd layer	1,300 lb.	15	7 ft 7"
2nd layer	1,600 lb.	15	6 ft 1"
1st layer	2,000 lb.	9	4 ft 7"



Always spool cable in an organized manner to help prevent cable snarls and ensure smooth cable extension during freewheel function. Spool cable one layer at a time, avoid overlapping and running the cable up and over the vertical cable guides found on each end of the cable spool.

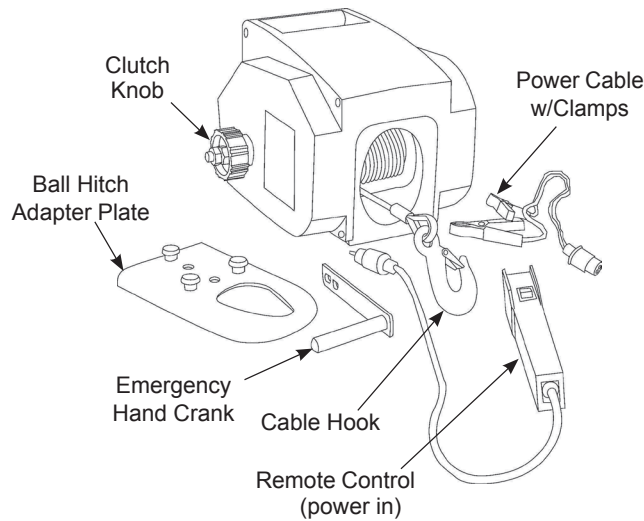


Figure 1 - Model I-9620 Nomenclature

⚠ Always place a heavy blanket on extended cable to reduce the risk caused by a snapped cable!

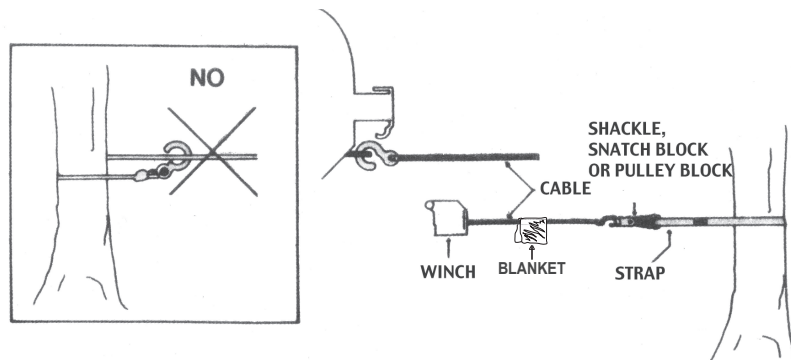


Figure 2

INSTALLATION

1. Hang the ball hitch adapter plate onto your hitch ball, with male studs pointing upward. Align the three male studs of adapter plate with corresponding holes in your winch base, slide forward to lock winch into place.
2. Inspect before each use. Ensure the host battery (normally an auxiliary battery) is fully charged. Position your fully charged auxiliary battery in a location compatible with the length of the power cord provided with your winch.

! Always wear eye protection and gloves while handling a battery.

NOTICE: Prior to the below procedure, ensure the vehicle engine is turned off, transmission in park with emergency brake on.

3. Attach the RED power cable to POSITIVE (+) terminal of your auxiliary battery.
4. Attach the BLACK wire to the GROUND (-) terminal of your auxiliary battery or to a common ground connection (i.e. chassis bolt). If your auxiliary battery is used to provide power to existing vehicle loads, simply connect the ground (-) side of your power cord to an already grounded component (vehicle frame, bumper).
5. Plug the remote control cord into the winch housing. The winch is now ready to use.

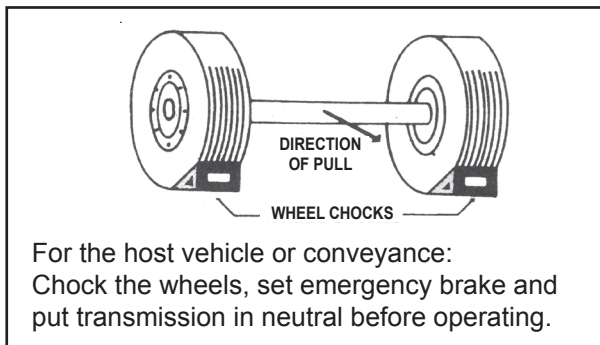


Figure 3

OPERATION

NOTE: This winch is capable of power-in cable function only. You can cycle between power-in and free-wheel cable function using the clutch knob. This model comes with a 10 ft. remote control.

NOTE: If free-wheel cable function: turn the clutch knob counter-clockwise until the knob can not be rotated.

1. Place vehicle in desired location, engage the emergency brake and chock the wheels to prevent from rolling. (Fig. 3)
2. To extend the winch cable to the load being pulled, turn the clutch knob counter-clockwise, until cable loosens and can be pulled off the cable spool.

NOTE: Always leave at least 4 full turns of cable on the cable spool to help prevent damage to the winch.

3. Attach the cable hook to the load.

! Never wrap the cable around a load, then hook the cable to itself! Always connect the cable hook to a snatch block or load strap hook whose rated capacity is **greater** than the rated capacity of your winch! (Fig. 2)

NOTE: Once direction control knob is fully tightened, there is no need to loosen.

4. Turn the clutch knob clockwise, by hand, until tight.
5. Press the remote control button to take up any slack cable, then release the button and check your setup. If satisfactory, engage the remote control button until load is in desired position.
6. When load is in desired position, secure the load with appropriate means. Release the tension on the cable. Pull cable out enough to remove safety hook.
7. When re-spooling cable, use suitable gloves or heavy rag material to help protect your hands while keeping steady tension on the cable. Spool cable until approximately 4 inches of cable (plus cable hook) is showing.

Emergency Hand Crank

! Never use the emergency hand crank to assist an operating winch motor. Never use to spool cable out.

1. Disconnect power cord at battery. Secure load by appropriate means.
2. Remove nut which secures direction control knob, install emergency hand crank, re-install nut.
3. Use handle to spool cable in. Use **only** as a means of spooling cable in when adequate 12 volt DC power is not available.
4. When done, remove emergency hand crank (reverse above procedure).

MAINTENANCE

1. Lubricate the cable occasionally with a light oil.
2. Grease the gears every 6 months. To do this, remove the direction control knob and separate the left and right housing. Use only good waterproof grease.

REPLACEMENT PARTS

Not all components of the winch are replacement items. Call or write for current parts pricing: phone (816)891-6390, fax (816)891-6599 or contact Pro-Lift Customer Support, 10939 N. Pomona Ave., Kansas City, MO 64153.

Item	Description	Qty
1	Power Cable	1
2	Cable with Hook	1
3	Remote Control	1
4	Hand Crank	1
5	Adapter Plate	1
6	Direction Control Knob	1
-	Motor (not shown)	1

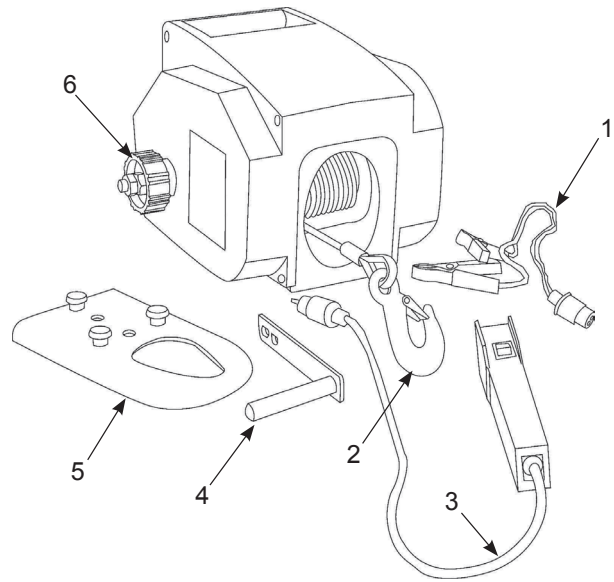


Figure 4 - I-9620 Replacement Parts

TWO YEARS LIMITED WARRANTY

For a period of two (2) years from date of purchase, **Shinn Fu Co. of America, Inc.** will repair or replace, at its option, without charge, any of its products which fails due to a defect in material or workmanship under normal usage. This limited warranty is a consumer's exclusive remedy.

Performance of any obligation under this warranty may be obtained by returning the warranted product, freight prepaid, to **Shinn Fu Co. of America, Inc.** Warranty Service Department, 10939 N. Pomona Ave., Kansas City, MO 64153.

Except where such limitations and exclusions are specifically prohibited by applicable law, (1) THE CONSUMER'S SOLE AND EXCLUSIVE REMEDY SHALL BE THE REPAIR OR REPLACEMENT OF DEFECTIVE PRODUCTS AS DESCRIBED ABOVE. (2) **Shinn Fu Co. of America, Inc.** SHALL NOT BE LIABLE FOR ANY CONSEQUENTIAL OR INCIDENTAL DAMAGE OR LOSS WHATSOEVER. (3) ANY IMPLIED WARRANTIES, INCLUDING WITHOUT LIMITATION THE IMPLIED WARRANTIES OF MERCHANTABILITY AND FITNESS FOR A PARTICULAR PURPOSE, SHALL BE LIMITED TO TWO (2) YEARS, OTHERWISE THE REPAIR, REPLACEMENT OR REFUND AS PROVIDED UNDER THIS EXPRESS LIMITED WARRANTY IS THE EXCLUSIVE REMEDY OF THE CONSUMER, AND IS PROVIDED IN LIEU OF ALL OTHER WARRANTIES, EXPRESS OR IMPLIED. (4) ANY MODIFICATION, ALTERATION, ABUSE, UNAUTHORIZED SERVICE OR ORNAMENTAL DESIGN VOIDS THIS WARRANTY AND IS NOT COVERED BY THIS WARRANTY.

Some states do not allow limitations on how long an implied warranty lasts, so the above limitation may not apply to you. Some states do not allow the exclusion or limitation of incidental or consequential damages, so the above limitation or exclusion may not apply to you. This warranty gives you specific legal rights, and you may also have other rights, which vary from state to state.



Shinn Fu Company of America, Inc.
 10939 N. Pomona Ave.
 Kansas City, MO 64153
 Phone (816)891-6390, Fax (816)891-6599