

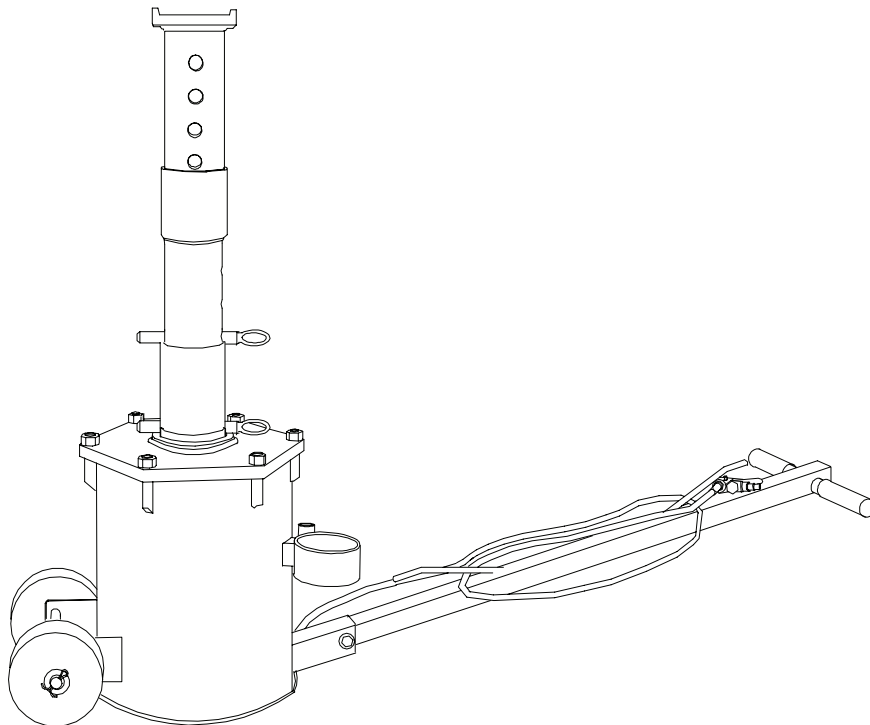
Operating Instructions and Parts Manual



10 Ton Air Jack/Support Stand

Model
34100

Capacity
10 Ton



This is the safety alert symbol. It is used to alert you to potential personal injury hazards. Obey all safety messages that follow this symbol to avoid possible injury or death.

SFA Companies
<http://www.omegalift.com>

Read this manual and follow all the Safety Rules and Operating Instructions before using this product.

Made in China
34100-M0_032013

WARNING

- Study, understand, and follow all instructions before operating this device.
- Do not exceed rated capacity.
- Use only on hard, level surfaces.
- Lifting device only. Immediately after lifting, support the vehicle with appropriate means.
- Do not move or dolly loads with this device.
- Lift only on areas of the vehicle as specified by the vehicle manufacturer.
- No alterations shall be made to this product.
- Failure to heed these markings may result in personal injury and/or property damage.

SAFETY AND GENERAL INFORMATION

Save these instructions. For your safety *read, understand, and follow* the information provided with and on this jack. The owner and operator of this equipment shall have an understanding of this jack and safe operating procedures before attempting to use. The owner and operator shall be aware that use and repair of this product may require special skills and knowledge. Instructions and safety information shall be conveyed in the operator's native language before use of this jack is authorized. If any doubt exists as to the safe and proper use of this jack, remove from service immediately.

Inspect before each use. Do not use if broken, bent, cracked, or damaged parts (including labels) are noted. Any jack that appears damaged in any way, operates abnormally or is missing parts, shall be removed from service immediately and the manufacturer notified. If you suspect that the jack was subjected to a shock load (a load dropped suddenly, unexpectedly upon it), immediately discontinue use until the jack has been checked by a factory authorized service center (contact distributor or manufacturer for list of Authorized Service Centers). It is recommended that an annual inspection be done by qualified personnel. Replace worn or damaged parts with Omega Authorized Replacement Parts only. Labels and owner's manuals are available from manufacturer.

PRODUCT DESCRIPTION

The Omega 10 Ton Air Jack/Support Stand is designed to lift and support rated capacity loads. **Intended use:** To lift one wheel or one axle of a vehicle for the purpose of service and/or repair of vehicle components. Use this jack in pairs when lifting an entire end of a vehicle. Check with vehicle owner's manual for proper lift points. Use one pair per vehicle.

⚠ WARNING: *Rated capacity of this device is a reference to the working load this stand is capable of sustaining. Rated capacity is not increased when jacks are used in multiples.*

⚠ WARNING: *Do not use for any purpose other than those uses outlined in this manual. **DO NOT** use jack around corrosive materials such as chlorides - commonly used by road crews to melt snow and ice. Water and slush from vehicles exposed to chlorides may enter jack cylinder, severely and permanently damaging interior of cylinder and causing air leaks which adversely affect lifting performance.*

SPECIFICATIONS

Model	Capacity	Starting Height	Max. Lift Height	Power Travel	Jack Size (L x W x H)	Rated Capacity Air Pressure
34100	10 Ton	17-1/2" to 40"	51-1/8"	11-1/2"	22" x 12" x 17"	200 psi

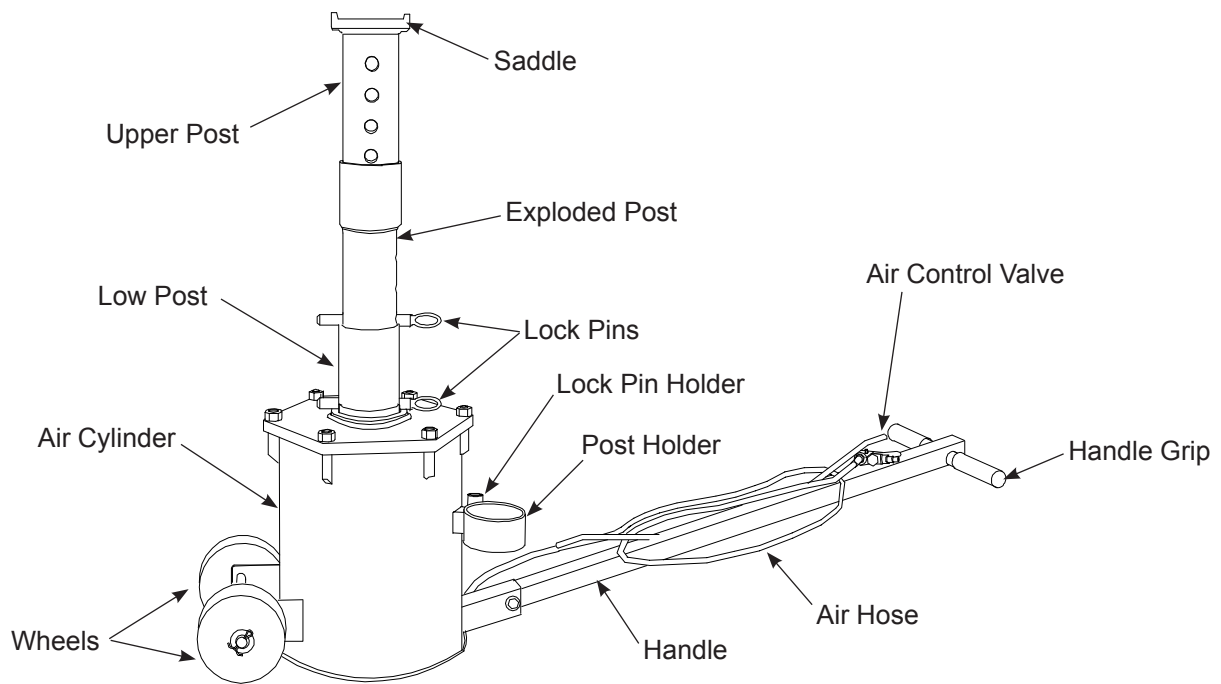


Figure 1 - Air Jack/Support Stand Components

PREPARATION

Before Use

1. Verify that the product and application are compatible, if in doubt contact Omega technical service.
2. Before use, read the operator's manual completely and familiarize yourself thoroughly with the product and its components, and recognize the potential hazards associated with its use. Know your jack and how it operates before attempting to use.

Assemble handle

Attached handle to the handle bracket on cylinder set with bolt and nut provided. Refer to parts drawing (pg. 6) for component location.

Prepare air system

⚠ CAUTION: *Air source must not exceed 200 psi maximum.*

1. Connect a union fitting (sold separately) to the air supply inlet (ref. Fig. 2).
2. Attach 1/4" NPT coupler (sold separately) to union fitting if desired.
3. Frequent, but not excessive lubrication is required for best performance. Too much oil will collect inside jack and be expelled during exhaust cycle. An automatic inline oiler is recommended, but oil may be added manually before operation or after approximately 1 hour of continuous use. Pour 1 teaspoon of good quality air tool lubricant into air supply inlet of control valve.
4. Dirt and water may accumulate inside jack during use. An inline filter/dryer is recommended.
5. Air Jack/Support Stand is now ready for use.

⚠ WARNING: *Never use more than one extension with this unit. Using more than one extension causes the load to be lifted beyond the maximum designed safety lifting height, which could cause loss of load.*

Check the jack

1. Examine the jack for broken or damaged parts. Roll the jack to ensure that it rolls freely and smoothly.
2. Raise and lower the unloaded saddle throughout the lift range to ensure proper operation before placing any load on the product.
3. Replace worn or damaged components with Omega replacement parts only (see Replacement Parts section). Lubricate as instructed in Maintenance Section.

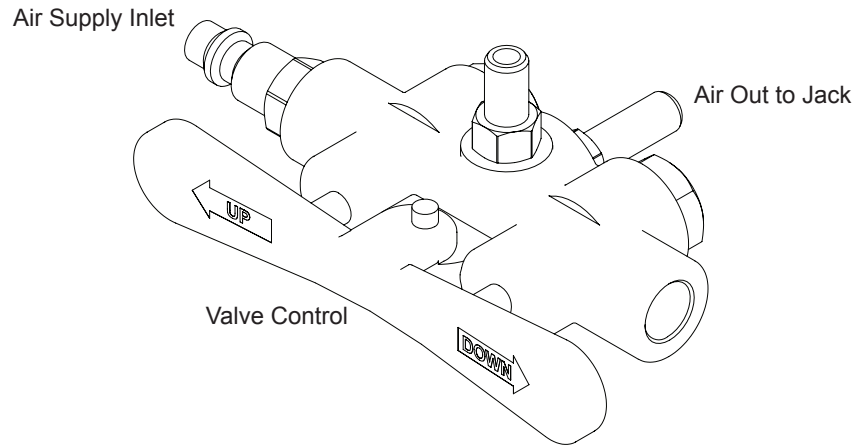


Figure 2 - Air Valve

OPERATION

Lifting

- ⚠ WARNING:** Only attachments and/or adapters supplied by the manufacturer shall be used.
- ⚠ WARNING:** Do not connect two jacks to one control valve. Operating the jacks in this way can cause loss of control during raising and lower the vehicle.

1. Follow the vehicle manufacturer's recommended guidelines for lifting.
2. Position vehicle on hard level surface with parking brake selected. Chock wheels at opposite end. When lifting trailers, lower landing gear.

- ⚠ WARNING:** Do not attempt to raise a partially filled tanker or transport containing an unrestrained load. A sudden load shift can occur causing dangerous tilting or toppling of the vehicle.

NOTICE: Actuation of the air control valve will raise and lower the post.

3. Position the unit under the lift point of the vehicle such that load will be centered on lifting saddle.
4. Extend post to desired height and insert locking pin through appropriate hole. If necessary, use post extension for additional height. Post extension slides inside post and is held in place with safety pin (ref. parts drawing).
5. Connect air compressor hose to control valve, then attach to air supply of 200 psi maximum. The unit is now ready to lift.
6. Press the air control valve lever marked "UP" to raise post until it contacts vehicle lift point. Ensure lift point is secure and centered on lift post saddle.
7. Press and hold air control valve until desired height has been achieved, insert the other lock pin through the hole in the ram post such that the lock pin will fully engage both sides of the head plate when lowered.
8. Slowly release the air pressure and make sure the lock pin engages fully into both sides of the low post slot.
9. Ensure the vehicle is level and stable, then fully discharge air pressure.
10. Before working around the lifted vehicle, ensure the vehicle is level and stable between the jacks.

- ⚠ WARNING:** After lifting, never work on, under or around a load until the post is properly pinned and the air is exhausted. If the air is not exhausted and the jack is not properly pinned, the jack may rise or drop suddenly when a heavy object is removed from or placed on the vehicle.

Lowering

⚠ WARNING: Check that all tools and personnel are clear before lowering load. Maintain control of speed at which load descends at all times.

1. Press the "UP" air control valve lever to raise post locking pin away from cap plate.
2. Ensure the vehicle is still stable, then remove lift post locking pin.
3. Press the "DOWN" air control lever to exhaust air pressure. Vehicle will gradually lower.
4. Discharge the air pressure from the jack fully once the vehicle is on the ground.
5. Ensure saddle is fully lowered, remove jack from under the vehicle and store properly.

TROUBLESHOOTING

Symptom	Possible Causes	Corrective Action
Jack will not lift load	<ul style="list-style-type: none"> • Inadequate air supply • Overload condition • Air line leaks 	<ul style="list-style-type: none"> • Ensure adequate air supply • Use larger capacity jack • Locate and seal leaks
Jack will not hold load	<ul style="list-style-type: none"> • Locking pin not engaged 	<ul style="list-style-type: none"> • Engage locking pin
Jack does not lift smoothly	<ul style="list-style-type: none"> • Cylinder requires lubrication 	<ul style="list-style-type: none"> • Apply multi-purpose lithium based grease to cylinder wall (see MAINTENANCE)

MAINTENANCE

The Air Jack/Support Stand is best operated with an in-line oiler. If using the jack without an oiler, complete the following steps before each use, or every hour is used continuously:

1. Disconnect the jack from the air hose.
2. Apply a few drops of good quality pneumatic tool oil through the air line.

Inspections should be made before each use of jack, checking for abnormal conditions. Regular inspections should be made weekly for daily use and monthly for intermittent use.

1. Inspect air hose for leaks or kinks. Replace if necessary.
2. Air control valve should operate freely. Wheels should rotate freely.
3. The post should extend and retract smoothly throughout its full range. If jack does not lift smoothly, remove bolts around cylinder cover, remove cover and lift piston weld assembly to the piston stops. Tilt the assembly to clear the piston stops. Clean and lubricate using multi-purpose lithium based grease.
4. A periodic coating of light lubricating oil to all rotating and sliding portions of the jack will help to prevent rust and assure that the wheels move freely.
5. Lower the saddle to its lowest position when not in use.
6. When jack is not in use, tip it forward until it rests on the wheels and use extra support to hold the jack as shown in Figure 3. This allows trapped water to drain from inside the cylinder.

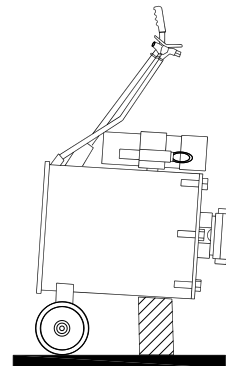
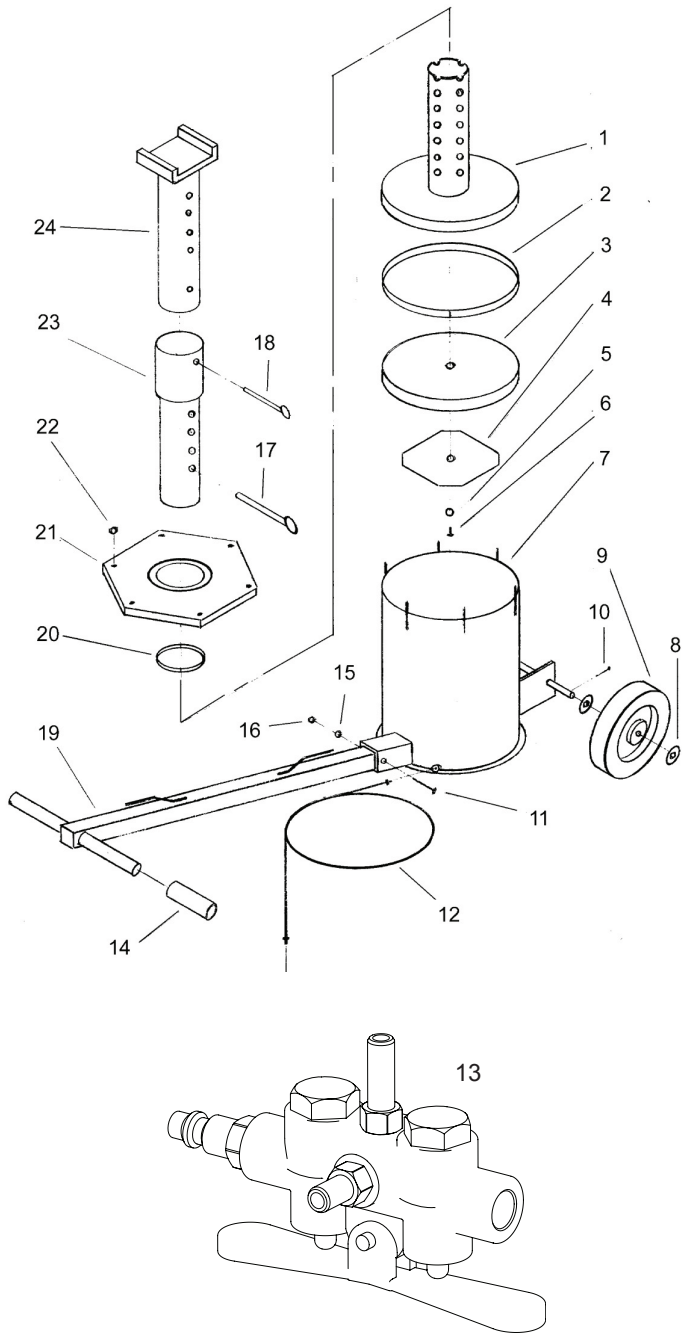


Figure 3

REPLACEMENT PARTS

Not all components of the jack are replacement items, but are illustrated as a convenient reference of location and position in the assembly sequence. When ordering parts, give model number, part number and parts description. Call or write for current pricing: SFA Companies, 10939 N. Pomona Ave., Kansas City, MO 64153; Phone: 888-332-6419; Fax: 816-891-6599; e-mail: sales@omegalift.com



Item	Part#	Description	Qty.
1	34100-001	Low Post	1
2	34100-002	Gliding Ring	1
3	34100-003	Seal Ring	1
4	34100-004	Washer	1
5	34100-005	O-ring	1
6	34100-006	Bolt, M12 x 25	1
7	N/A	Air Cylinder Set	1
8	34100-007	Washer	4
9	34100-008	Wheel	2
10	34100-009	Pin, 5 x 30	2
11	34100-010	Bolt, M8 x 60	1
12	34100-011	3/8" Air Hose Set	1
13	34100-012	Air Control Valve	1
14	34100-013	Handle Grip	2
15	34100-014	Washer	1
16	34100-015	Nut, M8	1
17	34100-016	Locking Pin	2
18	34100-017	Safety Pin	1
19	34100-018	Handle Assy	1
20	34100-019	Guiding Ring	1
21	N/A	Cap Set	1
22	34100-020	Nut, M16	6
23	34100-021	Exploded Post	1
24	34100-022	Upper Post	1

Figure 4 - Parts Illustration for Model 34100

ONE YEAR LIMITED WARRANTY

For a period of one (1) year from date of purchase, SFA Companies will repair or replace, at its option, without charge, any of its products which fails due to a defect in material or workmanship under normal usage. This limited warranty is a consumer's exclusive remedy.

Performance of any obligation under this warranty may be obtained by returning the warranted product, freight prepaid, to SFA Companies Warranty Service Department, 10939 N. Pomona Ave., Kansas City, MO 64153.

Except where such limitations and exclusions are specifically prohibited by applicable law, (1) THE CONSUMER'S SOLE AND EXCLUSIVE REMEDY SHALL BE THE REPAIR OR REPLACEMENT OF DEFECTIVE PRODUCTS AS DESCRIBED ABOVE. (2) SFA Companies SHALL NOT BE LIABLE FOR ANY CONSEQUENTIAL OR INCIDENTAL DAMAGE OR LOSS WHATSOEVER. (3) ANY IMPLIED WARRANTIES, INCLUDING WITHOUT LIMITATION THE IMPLIED WARRANTIES OF MERCHANTABILITY AND FITNESS FOR A PARTICULAR PURPOSE, SHALL BE LIMITED TO ONE YEAR, OTHERWISE THE REPAIR, REPLACEMENT OR REFUND AS PROVIDED UNDER THIS EXPRESS LIMITED WARRANTY IS THE EXCLUSIVE REMEDY OF THE CONSUMER, AND IS PROVIDED IN LIEU OF ALL OTHER WARRANTIES, EXPRESS OR IMPLIED. (4) ANY MODIFICATION, ALTERATION, ABUSE, UNAUTHORIZED SERVICE OR ORNAMENTAL DESIGN VOIDS THIS WARRANTY AND IS NOT COVERED BY THIS WARRANTY.

Some states do not allow limitations on how long an implied warranty lasts, so the above limitation may not apply to you. Some states do not allow the exclusion or limitation of incidental or consequential damages, so the above limitation or exclusion may not apply to you. This warranty gives you specific legal rights, and you may also have other rights, which vary from state to state.



SFA Companies
10939 N. Pomona Ave. Kansas City, MO 64153
888-332-6419
sales@omegalift.com

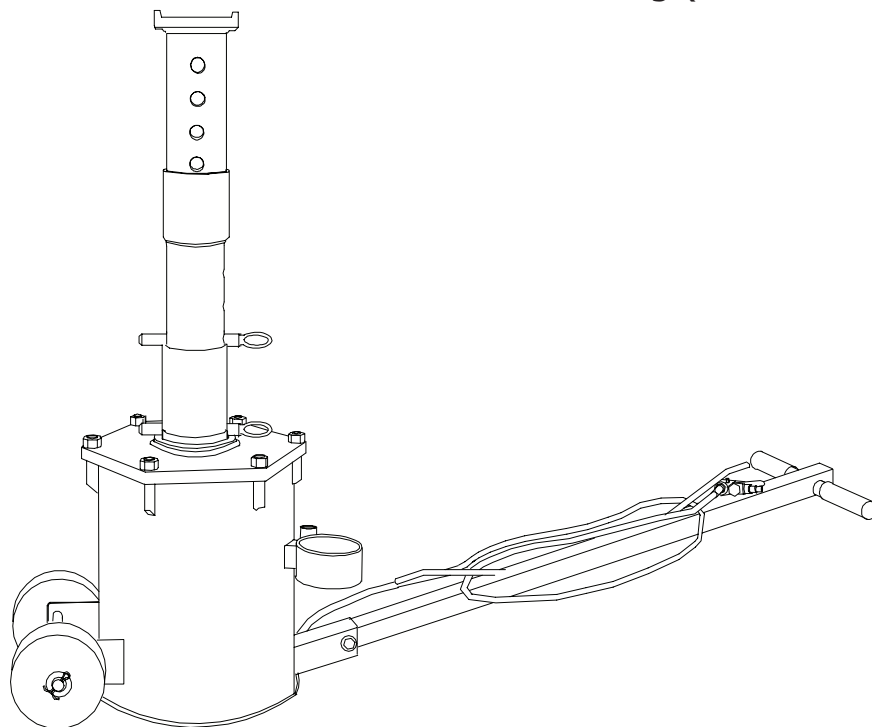
Manuel des consignes d'utilisation et des pièces



Cric/support pneumatique à capacité de 9 072 kg (10 tonnes américaines)

Modèle
34100

Capacité
9 072 kg (10 tonnes américaines)



Voici le symbole signalant un danger pour la sécurité. Il est utilisé pour vous alerter des dangers potentiels de blessures. Respectez tous les messages de sécurité qui suivent ce symbole afin d'éviter les blessures et la mort.

SFA Companies
<http://www.omegalift.com>

Lisez ce manuel et observez toutes les consignes de sécurité et d'utilisation avant d'utiliser ce produit.

Fabriqué en Chine
34100-M0_032013

MISE EN GARDE

- Assurez-vous de lire, de bien comprendre et de respecter toutes les instructions avant d'utiliser ce produit.
- Ne dépassez pas la capacité nominale.
- N'utilisez ce cric que sur des surfaces dures à niveau.
- Utilisez ce cric que pour le levage seulement. Immédiatement après le levage, faites en sorte que le véhicule soit supporté par un moyen adéquat.
- N'utilisez pas ce cric comme un charriot pour déplacer la charge.
- Utilisez le cric seulement aux points de levage indiqués par le fabricant du véhicule.
- Ne modifiez pas ce produit.
- Le non-respect de ces consignes peut entraîner des blessures ou des dommages matériels.

INFORMATIONS GÉNÉRALES ET INFORMATIONS RELATIVES À LA SÉCURITÉ


Conservez ces instructions. Pour votre sécurité, assurez-vous de lire, de bien comprendre et de respecter toutes les consignes décrites dans ce manuel ou se trouvant sur le cric. Le propriétaire, ainsi que l'utilisateur, doit comprendre le fonctionnement de ce produit et les consignes de sécurité associées à son utilisation avant de s'en servir. Ces personnes doivent aussi savoir que, pour utiliser ou réparer ce produit, il peut être nécessaire d'avoir des connaissances ou des habiletés spéciales. Avant que l'utilisation de ce produit ne soit autorisée, il faut faire connaître à l'opérateur, dans sa langue maternelle, les instructions et les informations relatives à la sécurité. S'il y a des doutes quant à la façon adéquate et sécuritaire de se servir de ce cric, il faut en cesser l'utilisation immédiatement.

Inspectez le cric avant chaque utilisation. N'utilisez pas le produit s'il y a des pièces brisées, déformées, fissurées ou endommagées (ce qui inclut les étiquettes). Il faut immédiatement cesser l'utilisation de tout cric endommagé, qui fonctionne de manière anormale ou dont des pièces manquent et aviser le fabricant. Si vous pensez que ce cric a été soumis à une surcharge d'impact (charge qui serait tombée accidentellement dessus), cessez immédiatement de l'utiliser et faites-le vérifier par un centre de réparation autorisé par l'usine (communiquez avec le distributeur ou le fabricant pour obtenir une liste des endroits autorisés). Il est recommandé qu'un personnel qualifié inspecte l'appareil annuellement. Ne remplacez les pièces usées ou endommagées que par des pièces de rechange autorisées par Omega. Il est possible de se procurer d'autres étiquettes et d'autres manuels du propriétaire auprès du fabricant.

DESCRIPTION DU PRODUIT

Le cric/support pneumatique Omega à capacité de 9 072 kg (10 tonnes américaines) est conçu pour soulever et supporter des charges ne dépassant pas sa capacité nominale. **Utilisation prévue :** levage d'une roue ou d'un essieu d'un véhicule afin de réparer ou de procéder à l'entretien de ce dernier. Utilisez ce cric par paires lorsque vous désirez soulever l'extrémité complète d'un véhicule. Consultez le manuel d'utilisation du véhicule pour connaître les bons points de levage. Utilisez une paire de crics par véhicule.

 **MISE EN GARDE :** La capacité nominale de ce dispositif de levage correspond à la charge de service qu'il est en mesure de supporter. Cette capacité nominale n'augmente pas lorsque plusieurs crics sont utilisés simultanément.

 **MISE EN GARDE :** N'utilisez pas ce produit dans un but autre que ceux décrits dans le présent manuel. **N'UTILISEZ PAS** ce cric à proximité des matières corrosives telles que les chlorures généralement utilisées par les équipes d'entretien des routes pour faire fondre la neige et la glace. L'eau et la neige fondante des véhicules exposés aux matières corrosives peuvent entrer dans le cylindre du cric et causer des dommages importants et permanents à l'intérieur du cylindre, susceptibles de causer des fuites d'air et de nuire au rendement de levage de l'appareil.

SPÉCIFICATIONS

Modèle	Capacité	Hauteur de départ	Hauteur de levage maximale	Montée pneum.	Dimensions du cric (L x l x h)	Pression de l'air à la capacité nominale
34100	9 072 kg (10 t. amér.)	44,45 à 101,6 cm (17-1/2 à 40 po)	129,86 cm (51-1/8 po)	29,21 cm (11-1/2 po)	55,88 x 30,48 x 43,18 cm (22 x 12 x 17 po)	1,38 MPa (200 lb/po ²)

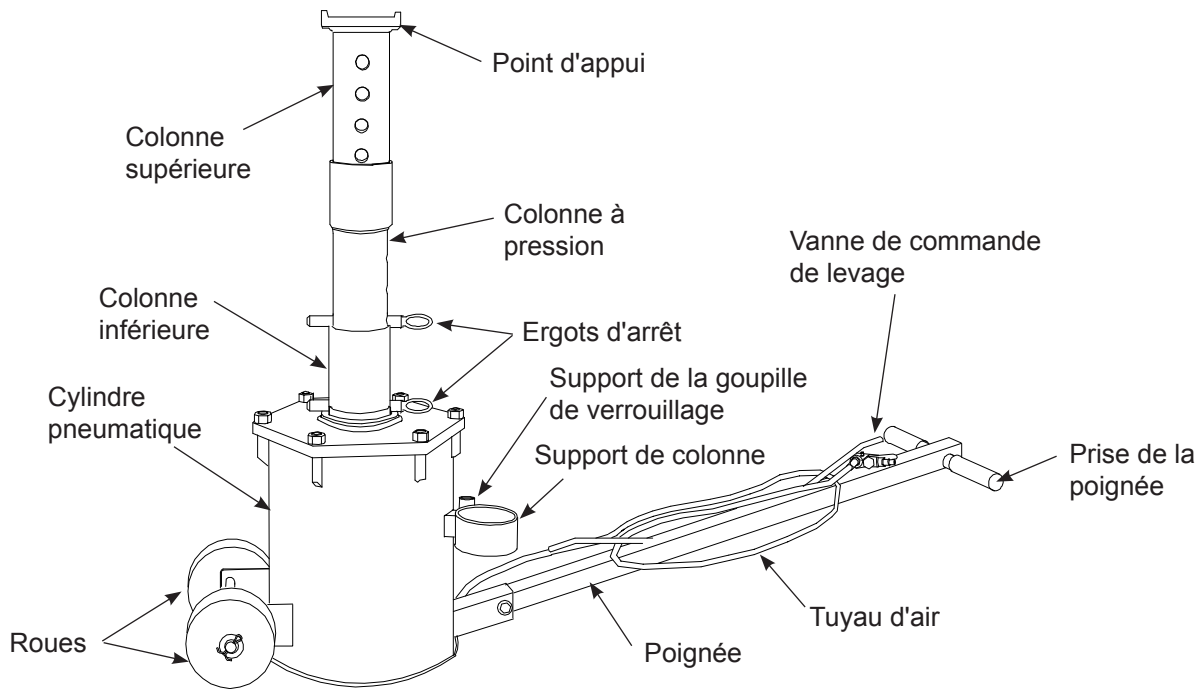


Figure 1 : Composants du cric/support pneumatique

PRÉPARATION

Avant l'utilisation

1. Vérifiez que le produit et son utilisation sont compatibles. Si vous avez des doutes, appelez le soutien technique d'Omega.
2. Avant d'utiliser ce cric, lisez entièrement son manuel d'utilisation, familiarisez-vous avec le produit et ses composants et identifiez les dangers potentiels associés à son utilisation. Assurez-vous de bien comprendre le fonctionnement de votre cric avant d'essayer de l'utiliser.

Assemblez la poignée

Fixez la poignée au support de poignée qui se trouve sur le cylindre au moyen du boulon et de l'écrou fournis. Reportez-vous au schéma des pièces (p. 6) pour connaître l'emplacement des composants.

Préparez le système d'air

⚠ ATTENTION : La source d'alimentation en air ne doit pas dépasser 1,38 MPa (200 lb/po²).

1. Branchez un raccord union (vendu séparément) à l'entrée de l'alimentation en air (voir figure 2).
2. Fixez un coupleur NPT de 0,64 cm (1/4 po) (vendu séparément) au raccord union au besoin.
3. Une lubrification fréquente, mais non excessive est nécessaire pour un meilleur rendement. L'huile provenant d'une lubrification excessive s'accumulerait à l'intérieur du cric et serait expulsée pendant le cycle d'échappement. Un huileur d'air en ligne automatique est recommandé, mais il est possible d'ajouter de l'huile manuellement avant l'utilisation du cric ou après approximativement une heure d'utilisation continue. Versez une cuillère à thé de lubrifiant de bonne qualité pour outil à air dans l'entrée de l'alimentation en air de la valve de commande.
4. De la saleté et de l'eau peuvent s'accumuler à l'intérieur du cric pendant l'utilisation. Un filtre ou un dessiccateur en ligne est recommandé.
5. Le cric/support pneumatique est maintenant prêt à être utilisé.

⚠ MISE EN GARDE : N'utilisez jamais plus d'une rallonge avec cet appareil. Utiliser plus d'une rallonge soulèverait la charge au-delà de la hauteur maximale de levage sécuritaire prévue, ce qui pourrait entraîner l'affaissement de la charge.

Vérifiez le cric

1. Vérifiez le cric pour vous assurer qu'il n'y a pas de pièces manquantes ou endommagées. Faites rouler le cric pour vous assurer qu'il roule en douceur et librement.
2. Avant de placer une charge sur le cric, assurez-vous que le mécanisme fonctionne correctement en levant, à vide, le point d'appui à son niveau maximal et en l'abaissant à son niveau minimal.
3. Ne remplacez les composants usés ou endommagés du cric que par des pièces de rechange Omega (voir la section des pièces de rechange). Lubrifiez selon les instructions de la section « Entretien ».

Entrée de l'alimentation en air

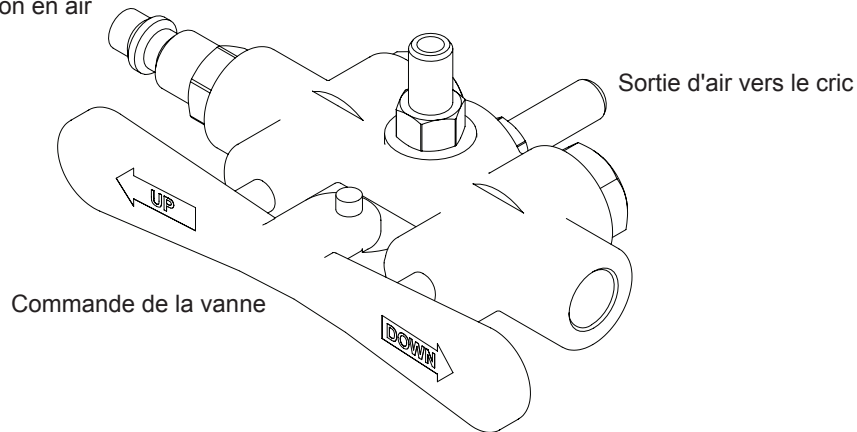


Figure 2 : Robinet d'admission d'air

FONCTIONNEMENT

Soulever

- ⚠ **MISE EN GARDE** : Utilisez seulement les accessoires et les adaptateurs fournis par le fabricant.
 - ⚠ **MISE EN GARDE** : Ne connectez pas deux crics à une seule vanne de commande. Faire fonctionner le cric de cette façon peut entraîner une perte de contrôle pendant le levage et l'abaissement du véhicule.
1. Respectez les lignes directrices du fabricant du véhicule pour le levage.
 2. Placez le véhicule sur une surface dure et de niveau, avec le frein de stationnement engagé. Calez les roues à l'extrémité opposée. Lorsque vous soulevez des remorques, abaissez la béquille.
- ⚠ **MISE EN GARDE** : N'essayez pas de soulever un réservoir ou un conteneur de transport partiellement rempli qui contient une charge libre. Un déplacement soudain de la charge peut se produire et causer un basculement ou balancement dangereux du véhicule.

AVIS : L'actionnement de la vanne de commande de levage fera monter et abaisser la colonne.

3. Placez le cric sous le point de levage du véhicule de façon à ce que la charge soit centrée sur le point d'appui de levage.
 4. Allongez la colonne jusqu'à la hauteur souhaitée et insérez la goupille de verrouillage dans le trou approprié. Au besoin, utilisez la rallonge de colonne pour plus de hauteur. La rallonge de colonne se glisse dans la colonne et est maintenue en place au moyen d'une goupille de sécurité (voir le schéma des pièces).
 5. Branchez le tuyau du compresseur d'air sur la vanne de commande, puis fixez-le à une source d'alimentation en air d'un maximum de 1,38 MPa (200 lb/po²). Le cric est maintenant prêt à soulever la charge.
 6. Appuyez sur le levier de la vanne de commande de levage identifié par « UP » pour faire monter la colonne, jusqu'à ce qu'elle vienne en contact avec le point de levage du véhicule. Assurez-vous que le point de levage est sécuritaire et qu'il repose au centre du point d'appui de la colonne de levage.
 7. Appuyez sur la vanne de commande de levage et maintenez-la enfoncée jusqu'au moment d'atteindre la hauteur désirée, insérez l'autre goupille de verrouillage dans le trou de la colonne du vérin de façon à ce que la goupille de verrouillage soit entièrement insérée des deux côtés de la plaque supérieure, lorsqu'elle est abaissée.
 8. Relâchez doucement la pression d'air et assurez-vous que la goupille de verrouillage est entièrement insérée dans les deux côtés de la fente de la colonne inférieure.
 9. Assurez-vous que le véhicule est de niveau et stable, puis relâchez complètement la pression d'air.
 10. Avant de travailler autour du véhicule soulevé, assurez-vous que ce dernier est de niveau et stable entre les crics.
- ⚠ **MISE EN GARDE** : Après le levage, ne travaillez jamais sur, en dessous ou autour d'une charge jusqu'à ce que la colonne soit correctement verrouillée et que l'air soit évacué. Si l'air n'est pas évacué et que le cric n'est pas correctement verrouillé, le cric peut monter ou descendre subitement lorsqu'un objet lourd est déposé ou posé sur le véhicule.

Abaissier

⚠ MISE EN GARDE : Avant d'abaisser la charge, assurez-vous qu'il n'y a aucun outil ni personne en dessous de celle-ci. Maintenez la vitesse de descente de la charge en tout temps.

1. Appuyez sur le levier de la vanne de commande de levage « UP » pour soulever la goupille de verrouillage de la colonne de la couronne.
2. Assurez-vous que le véhicule est toujours stable, puis retirez la goupille de verrouillage de la colonne de levage.
3. Appuyez sur le levier de commande de levage « DOWN » pour évacuer la pression d'air. Le véhicule descendra graduellement.
4. Évacuez complètement la pression d'air du cric, une fois que le véhicule est sur le sol.
5. Assurez-vous que le point d'appui est complètement abaissé, retirez le cric du véhicule et rangez-le de façon appropriée.

DÉPANNAGE

Problème	Causes possibles	Mesures correctives
Le cric ne soulève pas la charge	<ul style="list-style-type: none">• Alimentation en air inadéquate• Surcharge• Fuites dans la conduite d'air	<ul style="list-style-type: none">• Assurez-vous d'avoir une alimentation en air adéquate• Utilisez un cric de plus grande capacité• Trouvez et colmatez les fuites
Le cric ne maintient pas la charge	<ul style="list-style-type: none">• Goupille de verrouillage non insérée entièrement	<ul style="list-style-type: none">• Insérez la goupille de verrouillage entièrement
Le cric ne soulève pas la charge en douceur	<ul style="list-style-type: none">• Le cylindre doit être lubrifié	<ul style="list-style-type: none">• Appliquez de la graisse à usage multiple au lithium sur la paroi du cylindre (voir la section ENTRETIEN)

ENTRETIEN

Le cric/support pneumatique fonctionne mieux avec un huileur d'air en ligne. Si vous utilisez le cric sans huileur, suivez les étapes suivantes avant chaque utilisation, ou toutes les heures si vous en faites une utilisation continue :

1. Débranchez le cric du tuyau d'air.
2. Appliquez quelques gouttes d'huile pour outil pneumatique de bonne qualité dans la conduite d'air.

Il faut effectuer des inspections avant chaque utilisation du cric afin de vous assurer qu'il ne présente aucune anomalie. Des inspections devraient être effectuées toutes les semaines pour une utilisation quotidienne et tous les mois pour une utilisation intermittente.

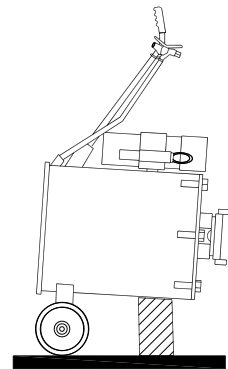
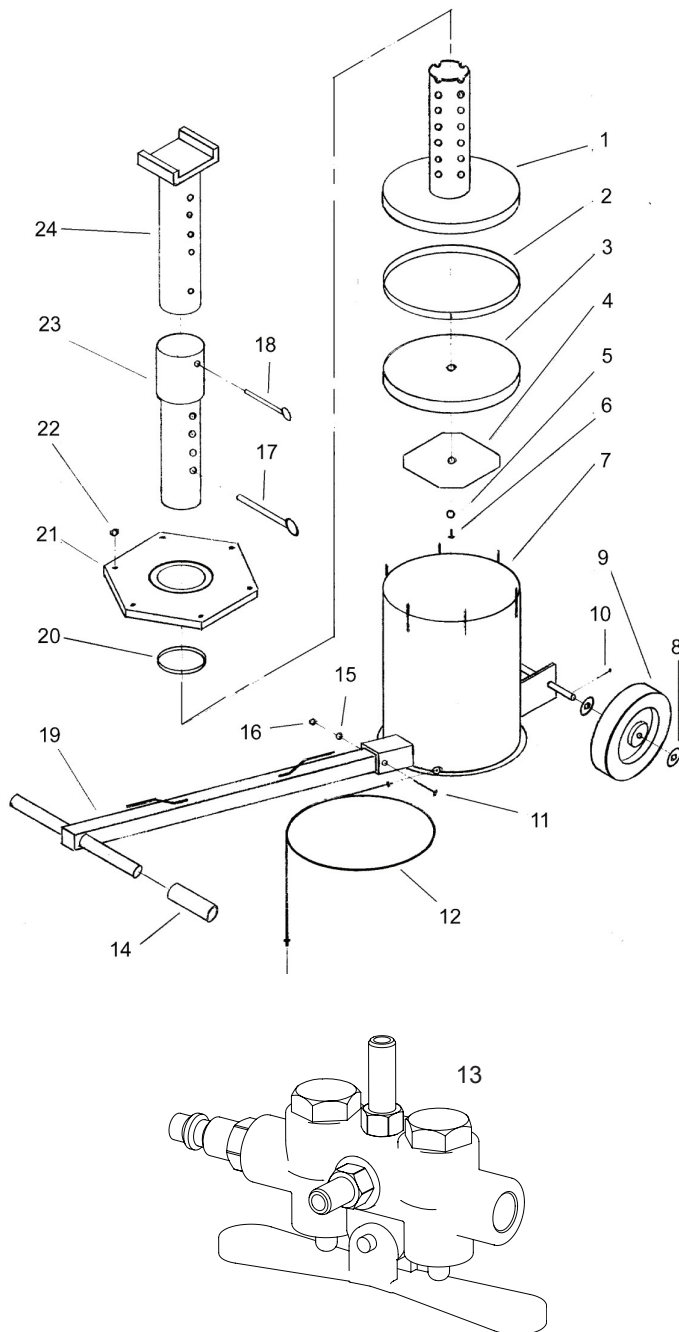


Figure 3

1. Inspectez le tuyau d'air pour vérifier la présence de fuites ou de déformations. Remplacez au besoin.
2. La vanne de commande de levage doit fonctionner librement. Les roues devraient tourner librement.
3. La colonne doit pouvoir s'allonger et descendre doucement à sa pleine portée. Si le cric ne lève pas la charge doucement, enlevez les boulons situés autour du couvercle du cylindre, retirez le couvercle et soulevez l'assemblage soudé du piston jusqu'aux butées. Inclinez l'assemblage pour nettoyer les butées du piston. Nettoyez et lubrifiez au moyen de graisse à usage multiple au lithium.
4. Une lubrification périodique de toutes les parties coulissantes et pivotantes du cric faite avec de l'huile légère aide à prévenir la rouille et à assurer que les roues bougent librement.
5. Abaissez le point d'appui à sa position la plus basse lorsque le cric n'est pas utilisé.
6. Lorsque le cric n'est pas utilisé, basculez-le vers l'avant jusqu'à ce qu'il repose sur ses roues et utilisez un support additionnel pour soutenir le cric tel qu'illustré sur la figure 3. Cela permettra d'évacuer l'eau qui pourrait se trouver dans le cylindre.

PIÈCES DE RECHANGE

Cette illustration ne sert qu'à montrer l'emplacement des différents composants du cric et leur position afin de faciliter la procédure d'assemblage. Ce ne sont pas toutes ses pièces qui peuvent être remplacées. Lorsque vous commandez des pièces, fournissez le numéro du modèle, le numéro et la description de la pièce. Pour connaître les prix actuels, appelez-nous ou écrivez-nous : SFA Companies 10939 N. Pomona Ave. Kansas City, MO 64153, É.-U., Tél. : 1 888 332-6419 Téléc. : 1 816 891-6599, courriel : sales@omegalift.com



Pièce	N° de pièce	Description	Qté
1	34100-001	Colonne inférieure	1
2	34100-002	Joint de glissement	1
3	34100-003	Joint d'étanchéité	1
4	34100-004	Rondelle	1
5	34100-005	Joint torique	1
6	34100-006	Boulon, M12 x 25	1
7	S.O.	Ensemble de cylindre pneumatique	1
8	34100-007	Rondelle	4
9	34100-008	Roue	2
10	34100-009	Goupille, 5 x 30	2
11	34100-010	Boulon, M8 x 60	1
12	34100-011	Ensemble de tuyau d'air de 3/8 po	1
13	34100-012	Vanne de commande de levage	1
14	34100-013	Prise de la poignée	2
15	34100-014	Rondelle	1
16	34100-015	Écrou, M8	1
17	34100-016	Goupille de blocage	2
18	34100-017	Goupille de sécurité	1
19	34100-018	Assemblage de la poignée	1
20	34100-019	Joint de guidage	1
21	S.O.	Ensemble de capuchon	1
22	34100-020	Écrou, M16	6
23	34100-021	Colonne à pression	1
24	34100-022	Colonne supérieure	1

Figure 4 : Illustration des pièces de rechange du modèle 34100

GARANTIE LIMITÉE DE 1 AN

Pendant une période d'un (1) an, à partir de la date d'achat, SFA Companies réparera ou remplacera, à sa discrétion, sans frais, tous ses produits qui, utilisés dans des conditions normales, sont défectueux à cause d'un défaut de matériel ou de fabrication. Cette garantie limitée est le seul recours du consommateur.

Pour bénéficier du service offert par la garantie, il faut retourner le produit couvert par celle-ci, port payé, à SFA Companies, Warranty Service Department, 10939 N. Pomona Ave., Kansas City, MO 64153, États-Unis.

Sauf dans les cas où les limitations et les exclusions décrites dans ce paragraphe sont spécifiquement interdites par la loi : (1) LE SEUL RECOURS DU CONSOMMATEUR EST DE FAIRE RÉPARER OU REMPLACER LES PRODUITS DÉFECTUEUX COMME DÉCRIT CI-DESSUS; (2) SFA COMPANIES NE SERA PAS TENUE RESPONSABLE DES DOMMAGES CONSÉCUTIFS OU INDIRECTS OU DE PERTES QUELCONQUES; (3) TOUTE GARANTIE IMPLICITE, CE QUI INCLUT SANS LIMITATION LES GARANTIES IMPLICITES DE COMMERCIALITÉ ET D'ADAPTATION À UN USAGE PARTICULIER, SERA LIMITÉE À UN AN, À DÉFAUT DE QUOI LA RÉPARATION, LE REMPLACEMENT OU LE REMBOURSEMENT, SELON CETTE GARANTIE EXPRESSE LIMITÉE, CONSTITUE LE SEUL RECOURS DU CLIENT, ET REMPLACE TOUTE AUTRE GARANTIE, IMPLICITE OU EXPRESSE; (4) TOUTE MODIFICATION, ALTÉRATION, UTILISATION ABUSIVE OU NON AUTORISÉE OU DÉCORATION ORNEMENTALE ANNULE CETTE GARANTIE ET N'EST PAS COUVERTE PAR CELLE-CI.

Certaines provinces et certains États ne permettent pas de limiter la durée d'une garantie implicite et il est donc possible que la limitation décrite ci-dessus ne s'applique pas. Certaines provinces et certains États ne permettent pas d'exclure ou de limiter les dommages consécutifs ou indirects et il est donc possible que la limitation ou l'exclusion mentionnée ci-dessus ne s'applique pas. Cette garantie vous confère des droits particuliers et il est aussi possible que vous puissiez jouir d'autres droits qui varient d'une province à l'autre et d'un État à l'autre.



SFA Companies
10939 N. Pomona Ave., Kansas City, MO 64153, É.-U.
1 888 332-6419
sales@omegalift.com

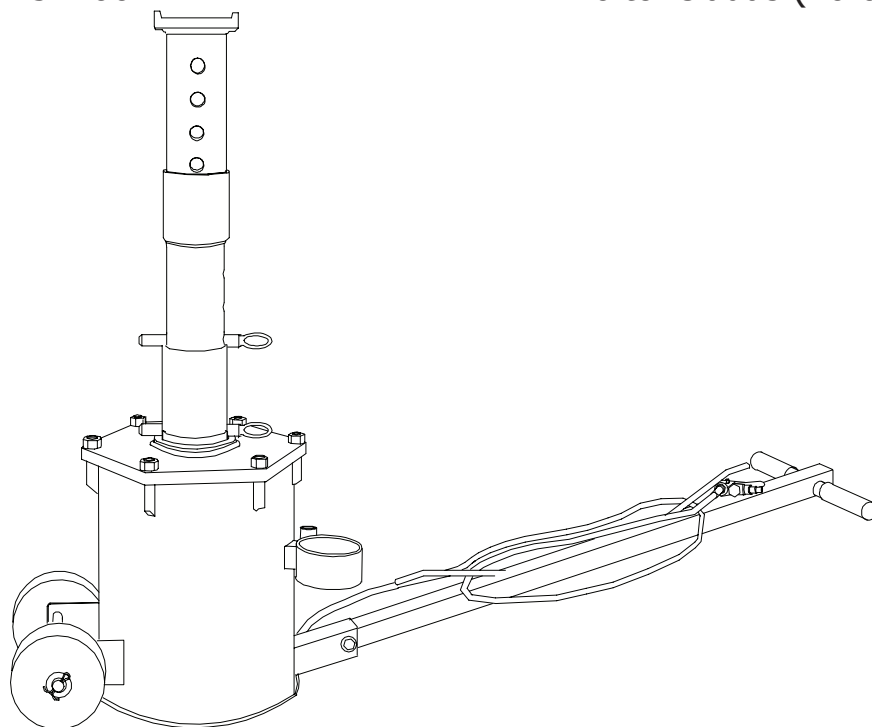
Manual de piezas e instrucciones de funcionamiento



Soporte/gato neumático de 10 toneladas (20 000 libras)

Modelo
34100

Capacidad
10 toneladas (20 000 libras)



Este es el símbolo de alerta de seguridad. Se usa para alertar sobre peligros potenciales de lesiones personales.

Obedezca todos los mensajes de seguridad que tengan este símbolo, para evitar posibles lesiones personales o la muerte.

SFA Companies
<http://www.omegalift.com>

Lea este manual y respete todas las reglas de seguridad y las instrucciones de funcionamiento antes de usar este producto.

Fabricada en China
34100-M0_032013

ADVERTENCIA

- Estudie, comprenda y siga todas las instrucciones antes de poner en funcionamiento este dispositivo.
- No exceda la capacidad nominal.
- Úsela únicamente sobre superficies duras y uniformes.
- Es solo un dispositivo para levantar cargas. Inmediatamente después de levantar el vehículo, utilice los soportes adecuados.
- No mueva ni deslice las cargas con este dispositivo.
- Use solamente las áreas del vehículo especificadas por el fabricante del vehículo.
- No deben hacerse modificaciones a este producto.
- Si no se respetan estas indicaciones, podrían producirse lesiones personales o daños a la propiedad.

INFORMACIÓN GENERAL Y DE SEGURIDAD


Conserve estas instrucciones. Para su seguridad, *lea, comprenda y siga* la información que viene con este gato antes de su uso. El propietario u operador de este equipo debe tener conocimientos sobre este gato y los procedimientos de funcionamiento seguro antes de intentar utilizarlo. El propietario y operador deben tener presente que el uso y la reparación de este producto podrían requerir habilidades y conocimientos especiales. Las instrucciones y la información de seguridad deben expresarse en la lengua materna del operador antes de recibir autorización para el uso de este gato. Si tiene dudas sobre el uso seguro y adecuado de este gato, proceda a sacarlo de servicio de inmediato.

Inspeccione el dispositivo antes de cada uso. No lo utilice si detecta que está roto, doblado, agrietado o tiene piezas dañadas (incluidas las etiquetas). Debe sacar de servicio en forma inmediata e informar al fabricante sobre todo gato que presente daños, de la naturaleza que fueren, funcione mal o tenga piezas faltantes. Si sospecha que el gato fue sometido a una carga de impacto (una carga arrojada repentina e inesperadamente sobre este), interrumpa su uso de inmediato hasta su revisión por parte de un centro de servicio de fábrica autorizado (comuníquese con el fabricante o el distribuidor para obtener una lista de los centros de servicio de fábrica autorizados). Se recomienda realizar una inspección anual a cargo de personal calificado. Reemplace las piezas desgastadas o dañadas solo con piezas de repuesto autorizadas de Omega. Las etiquetas y los manuales del propietario están disponibles por parte del fabricante.

DESCRIPCIÓN DEL PRODUCTO

El soporte/gato neumático de 10 toneladas (20 000 libras) de Omega está diseñado para levantar y soportar cargas de capacidad nominal. **Uso específico:** Levantar una rueda o un eje de un vehículo para realizar tareas de mantenimiento o reparación de los componentes del vehículo. Use este gato en pares cuando levante todo el extremo de un vehículo. Consulte el manual del propietario del vehículo para ver los puntos de elevación adecuados. Use un par para cada vehículo.

 **ADVERTENCIA:** *La capacidad nominal de este dispositivo es una referencia a la carga de trabajo que este soporte puede resistir. La capacidad nominal no aumenta cuando los gatos se utilizan en múltiples.*

 **ADVERTENCIA:** *No utilice este dispositivo para ningún otro fin diferente de aquellos que se describen en este manual. **NO** utilice el gato cerca de materiales corrosivos como cloruros comúnmente utilizados por personal de carreteras para derretir la nieve y el hielo. El agua y el fango de los vehículos expuestos a cloruros pueden ingresar en el cilindro del gato, lo que dañaría de forma grave y permanente el interior del cilindro y causaría fugas de aire, lo que afectaría negativamente la función de elevación.*

ESPECIFICACIONES

Modelo	Capacidad	Altura de inicio	Altura de elevación máx.	Recorrido de accionamiento	Tamaño del gato (largo x ancho x alto)	Presión de aire a capacidad nominal
34100	10 toneladas (20 000 libras)	17-1/2" a 40" (44,45 a 101,6 cm)	51-1/8" (129,86 cm)	11-1/2" (29,21 cm)	22" x 12" x 17" (55,88 x 30,48 x 43,18 cm)	200 psi (1,38 MPa)

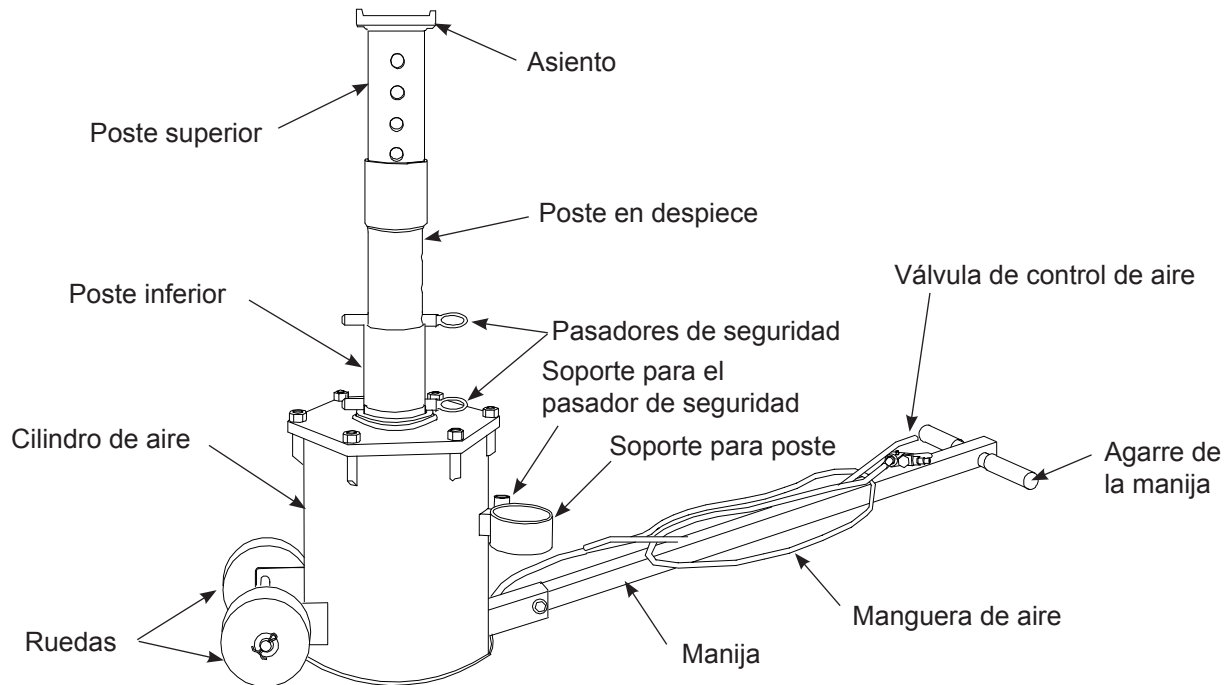


Figura 1: Componentes de un/gato neumático

PREPARACIÓN

Antes del uso

1. Verifique que el producto y la aplicación sean compatibles; si tiene dudas, comuníquese con el Servicio técnico de Omega.
2. Antes de usar este producto, lea todo el manual del operador; procure familiarizarse en forma completa con el producto y sus componentes, y reconocer los posibles peligros asociados a su uso. Infórmese sobre el gato y sus características de funcionamiento antes de intentar utilizarlo.

Ensamblaje de la manija

Fije la manija al soporte de la manija en el conjunto del cilindro con el perno y la tuerca que se suministran. Consulte el dibujo de las piezas (pág. 6) para conocer la ubicación del componente.

Prepara el sistema neumático

⚠ PRECAUCIÓN: *La fuente de aire no puede superar los 200 psi, como máximo.*

1. Conecte un accesorio de la junta (se vende por separado) a la entrada de suministro de aire (consulte Fig. 2).
2. Conecte un acoplador de aire común de 1/4" (0,6 cm) NP (se vende por separado) accesorio de la junta, si se desea.
3. Para un óptimo rendimiento, se requiere una lubricación frecuente pero no excesiva. El exceso de aceite se acumulará dentro de gato y se expulsará durante el ciclo de ventilación. Se recomienda el uso de un engrasador en línea automático pero el aceite se puede añadir manualmente antes de la operación o después de aproximadamente 1 hora de uso continuo. Vierta 1 cucharadita de lubricante para herramientas de aire de buena calidad en la entrada de suministro de aire de la válvula de control.
4. La suciedad y el agua pueden acumularse dentro del gato durante su uso. Se recomienda el uso de una secadora/filtro en línea.
5. Ahora, el soporte/gato están listos para su uso.

⚠ ADVERTENCIA: *Nunca use más de una extensión con esta unidad. Usar más de una extensión hace que la carga se eleve más allá de la altura de elevación máxima prevista máxima, lo que podría causar la pérdida de carga.*

Controle el gato

1. Examine el gato para detectar piezas rotas o dañadas. Gire el gato para asegurarse de que gire libremente y sin problemas.
2. Levante y baje el asiento sin carga en todo el rango de elevación para garantizar un funcionamiento correcto antes de colocar cualquier carga sobre el producto.
3. Reemplace los componentes desgastados o dañados solamente con las piezas de reemplazo Omega (consulte la sección Piezas de reemplazo). Lubrique según se indica en la sección de mantenimiento.

Entrada de suministro de aire

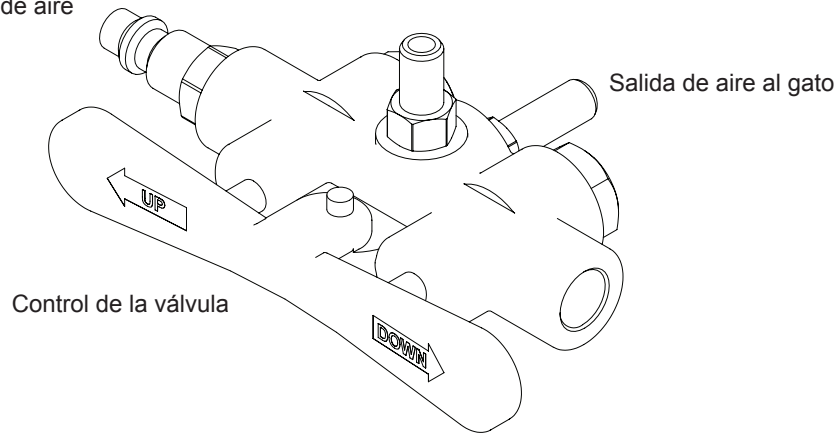


Figura 2: Válvula de aire

FUNCIONAMIENTO

Elevación

- ⚠ ADVERTENCIA:** Solo deben utilizarse accesorios y/o adaptadores suministrados por el fabricante.
 - ⚠ ADVERTENCIA:** No conecte dos gatos a una válvula de control. Poner en funcionamiento los gatos de esta manera puede causar la pérdida de control mientras se sube y baja el vehículo.
1. Siga las pautas recomendadas por el fabricante del vehículo para la elevación.
 2. Coloque el vehículo en una superficie nivelada y dura con el freno de estacionamiento activado. Bloquee las ruedas en el extremo opuesto. Cuando se levanten remolques, se debe bajar el rodamen de apoyo.
- ⚠ ADVERTENCIA:** No intente levantar un camión cisterna parcialmente lleno o un vehículo que contenga una carga sin restricciones. Un cambio repentino de carga puede provocar una inclinación o caída peligrosa del vehículo.
- AVISO:** El accionamiento de la válvula de control de aire subirá y bajará el poste.
3. Coloque la unidad debajo del punto de elevación del vehículo de tal manera que la carga quede centrada en el asiento de elevación.
 4. Extienda el poste hasta alcanzar la altura deseada e inserte el pasador de seguridad a través del orificio apropiado. De ser necesario, use una extensión para postes para lograr una altura mayor. La extensión del poste se desliza dentro del poste y se mantiene en su lugar con el pasador de seguridad (vea el dibujo de las piezas).
 5. Conecte la manguera del compresor de aire a la válvula de control, a continuación, conecte el suministro de aire de 200 psi (13,79 bar), como máximo. La unidad está lista para usarse.
 6. Presione la palanca de la válvula de control de aire con la marca "UP" (arriba) para elevar el poste hasta que haga contacto con el punto de elevación del vehículo. Asegúrese de que el punto de elevación esté fijo y centrado con el asiento y el poste de elevación.
 7. Presione y mantenga presionada la válvula de control de aire hasta que se haya alcanzado la altura deseada, inserte el otro pasador de seguridad a través del orificio en el poste del ariete de forma que el pasador de seguridad asegure completamente ambos lados de la placa superior cuando se baje.
 8. Libere lentamente la presión de aire y asegúrese de que el pasador de seguridad quede completamente asegurado a ambos lados de la ranura del poste inferior.
 9. Asegúrese de que el vehículo esté nivelado y estable, luego descargue totalmente la presión del aire.
 10. Antes de trabajar cerca del vehículo levantado, asegúrese de que el vehículo esté nivelado y estable entre los gatos.
- ⚠ ADVERTENCIA:** Después de la elevación, nunca trabaje sobre, debajo o cerca de una carga hasta que el poste esté correctamente fijado y no quede aire por descargar. Si el aire no se descarga y el gato no está correctamente asegurado, el gato puede subir o bajar repentinamente cuando se retire o coloque un objeto pesado en el vehículo.

Descenso

⚠ ADVERTENCIA: Asegúrese de despejar el área de herramientas y operarios antes de bajar la carga. Controle en todo momento la velocidad a la que baja la carga.

1. Presione la palanca de la válvula de control de aire con la marca "UP" (arriba) para elevar y retirar el pasador de seguridad del poste de la placa de extremo.
2. Asegúrese de que el vehículo todavía esté estable y luego retire el pasador de seguridad del poste de elevación.
3. Presione la palanca de control de aire con la marca "DOWN" (abajo) para liberar la presión de aire. El vehículo se bajará gradualmente.
4. Descargar la presión de aire del gato completamente una vez que el vehículo esté en el suelo.
5. Asegúrese de que la silla esté totalmente abajo, retire el gato de abajo del vehículo y guárdela correctamente.

LOCALIZACIÓN Y SOLUCIÓN DE PROBLEMAS

Síntoma	Causas posibles	Medidas correctivas
El gato no levanta la carga.	<ul style="list-style-type: none">• La presión de aire es inadecuada.• Hay un estado de sobrecarga.• Hay una fuga en la línea de aire.	<ul style="list-style-type: none">• Asegúrese de que el suministro de aire sea adecuado.• Use un gato con mayor capacidad.• Ubique y selle las fugas.
El gato no soporta la carga.	<ul style="list-style-type: none">• El pasador de seguridad no está asegurado.	<ul style="list-style-type: none">• Asegure el pasador de seguridad.
El gato no sube correctamente.	<ul style="list-style-type: none">• El cilindro requiere lubricación.	<ul style="list-style-type: none">• Aplique grasa multiuso a base de litio en la pared del cilindro (consulte la sección MANTENIMIENTO).

MANTENIMIENTO

El soporte/gato neumático funcionan mejor con un engrasador en línea. Si se utiliza el gato sin engrasador, realice los pasos siguientes antes de cada uso, o cada hora si se utiliza continuamente:

1. Desconecte el gato de la manguera de aire.
2. Aplique unas gotas de aceite para herramientas neumáticas de buena calidad en toda la línea de aire.

Las inspecciones deben hacerse antes de cada uso del gato para comprobar que no haya condiciones anormales. Deben realizarse inspecciones periódicas semanalmente durante el uso diario y mensualmente para el uso intermitente.

1. Inspeccione la manguera de aire para detectar fugas o aplastamientos. Reemplace si es necesario.
2. La válvula de control de aire debe funcionar libremente. Las ruedas deben girar libremente.
3. El poste debería extenderse y retraerse sin problemas en todo su rango. Si el gato no se eleva correctamente, quite los pernos de la tapa del cilindro, retire la cubierta y levante el conjunto de soldadura del pistón hasta los toques del pistón. Inclínelo para retirar los toques del pistón. Limpie y lubrique usando grasa multiuso a base de litio.
4. La lubricación periódica con un aceite liviano en todos los puntos de giro y deslizamiento del gato ayudará a evitar la corrosión y garantizará que las ruedas se muevan libremente.
5. Baje el asiento a su posición más baja cuando no esté en uso.
6. Cuando el gato no esté en uso, inclínelo hacia adelante hasta que quede sobre las ruedas y uso un soporte adicional para mantener el gato como se muestra en la Figura 3. Esto permite que el agua atrapada se drene desde dentro del cilindro.

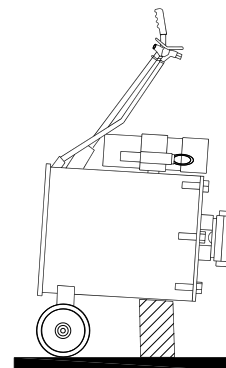
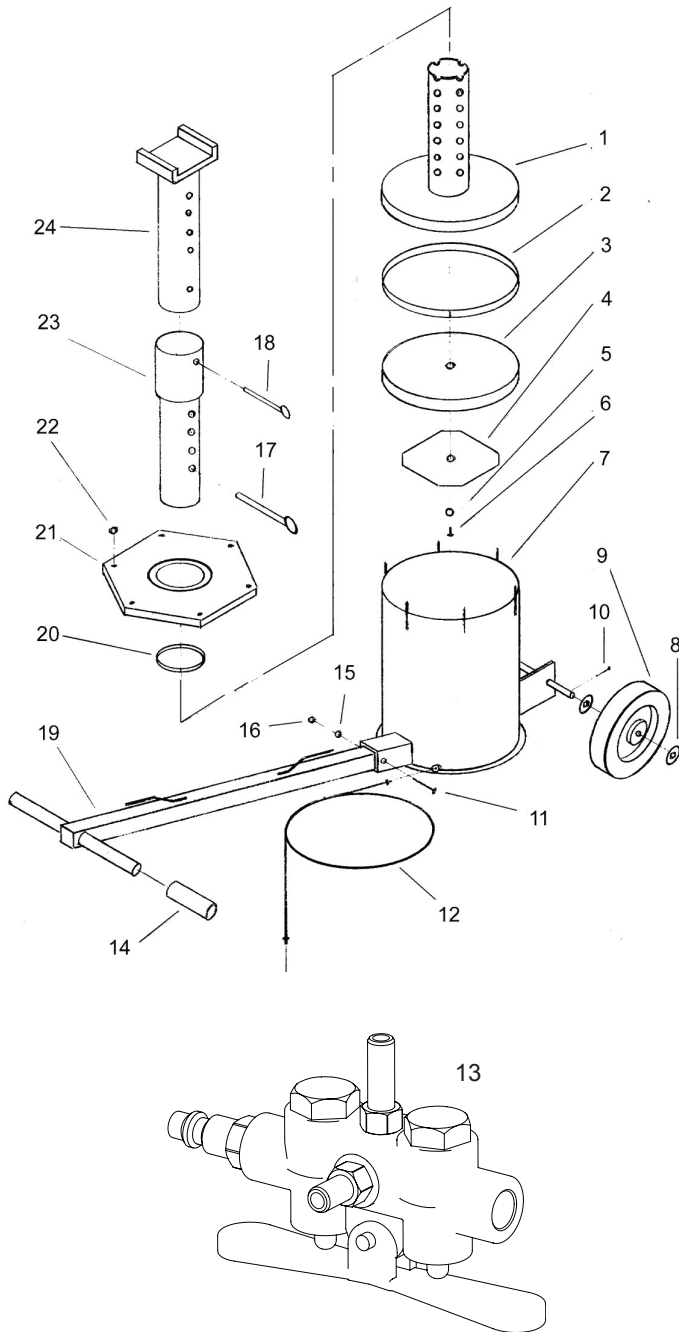


Figura 3

PIEZAS DE REPUESTO

No todos los componentes del gato tienen reemplazo, pero se ilustran a modo de referencia práctica de la ubicación y la posición que ocupan en la secuencia del conjunto. Cuando realice el pedido de piezas, indique el número de modelo, el número de pieza y la descripción de la pieza. Para obtener el precio vigente, comuníquese a: SFA Companies, 10939 N. Pomona Ave. Kansas City, MO 64153, EE. UU. Teléfono: 888-332-6419; fax: 816-891-6599; correo electrónico: sales@omegalift.com



Elem.	Nº de pieza	Descripción	Cant.
1	34100-001	Poste inferior	1
2	34100-002	Anillo de deslizamiento	1
3	34100-003	Anillo sellante	1
4	34100-004	Arandela	1
5	34100-005	Junta tórica	1
6	34100-006	Perno, M12 x 25	1
7	N/D	Conjunto del cilindro de aire	1
8	34100-007	Arandela	4
9	34100-008	Rueda	2
10	34100-009	Pasador, 5 x 30	2
11	34100-010	Perno, M8 x 60	1
12	34100-011	Conjunto de manguera de aire de 3/8" (0,9375 cm)	1
13	34100-012	Válvula de control de aire	1
14	34100-013	Agarre de la manija	2
15	34100-014	Arandela	1
16	34100-015	Tuerca, M8	1
17	34100-016	Pasador de seguridad	2
18	34100-017	Pasador de seguridad	1
19	34100-018	Conjunto de manija	1
20	34100-019	Anillo deslizante	1
21	N/D	Juego de extremo	1
22	34100-020	Tuerca, M16	6
23	34100-021	Poste en despiece	1
24	34100-022	Poste superior	1

Figura 4: Ilustración de piezas para el modelo 34100

GARANTÍA LIMITADA DE UN AÑO

Por el período de un (1) año desde la fecha de compra, SFA Companies reparará o reemplazará, a su discreción, sin costo alguno, cualquier producto que presente fallas debido a defectos de materiales o mano de obra bajo condiciones normales de uso. Esta garantía limitada es un recurso exclusivo del consumidor.

El cumplimiento de toda obligación en virtud de esta garantía puede obtenerse con el envío del producto en garantía, con flete abonado en origen, a SFA Companies Warranty Service Department, 10939 N. Pomona Ave., Kansas City, MO 64153.

Salvo que tales limitaciones y exclusiones estén específicamente prohibidas por las leyes vigentes, (1) EL ÚNICO Y EXCLUSIVO RECURSO DEL CONSUMIDOR SERÁ LA REPARACIÓN O EL REEMPLAZO DE LOS PRODUCTOS DEFECTUOSOS, COMO SE DETALLA ARRIBA. (2) SFA Companies NO SERÁ RESPONSABLE, EN NINGÚN CASO, POR DAÑOS O PÉRDIDAS EMERGENTES O INCIDENTALES. (3) TODA GARANTÍA IMPLÍCITA, LO QUE INCLUYE, ENTRE OTRAS, LAS GARANTÍAS IMPLÍCITAS DE COMERCIALIZACIÓN Y APTITUD PARA FINES ESPECÍFICOS, ESTARÁ LIMITADA A UN AÑO; DE OTRO MODO, LA REPARACIÓN, EL REEMPLAZO O LA DEVOLUCIÓN DE DINERO CONFORME A ESTA GARANTÍA LIMITADA EXPRESA SERÁ EL EXCLUSIVO RECURSO DEL CONSUMIDOR, Y SE OFRECE EN LUGAR DE CUALQUIER OTRA GARANTÍA, EXPRESA O IMPLÍCITA. (4) CUALQUIER MODIFICACIÓN, ALTERACIÓN, USO INDEBIDO, SERVICIO NO AUTORIZADO O DISEÑO ORNAMENTAL ANULARÁ ESTA GARANTÍA Y NO ESTARÁ CUBIERTO POR ESTA GARANTÍA.

Algunos estados no permiten la limitación de la duración de las garantías implícitas, por lo que las limitaciones anteriores pueden no aplicarse en su caso. Algunos estados no permiten excluir o limitar los daños emergentes o incidentales, por lo tanto esta limitación o exclusión puede no ser aplicable en su caso. Esta garantía le otorga derechos legales específicos. Usted puede tener además otros derechos que varían de un estado a otro.



SFA Companies
10939 N. Pomona Ave. Kansas City, MO 64153
888-332-6419
sales@omegalift.com

Note Page/Notes/Notas



SFA Companies
10939 N. Pomona Ave. Kansas City, MO 64153
888-332-6419
sales@omegalift.com

Note Page/Notes/Notas



SFA Companies
10939 N. Pomona Ave. Kansas City, MO 64153
888-332-6419
sales@omegalift.com

Note Page/Notes/Notas



SFA Companies
10939 N. Pomona Ave. Kansas City, MO 64153
(888) 332-6419
sales@omegalift.com